



# www.SERDI.com

Log in and access our online shop

Look for spare parts with our virtual machine, including all our previous and new models.

Order most parts to fit your Serdi machine, from tool holders to pilots through valve seats or cutting bits.

Content is regularly updated, including machine web brochures, videos and coming trade shows where we will exhibit, so stay tuned !



[www.facebook.com/serdi.machines](http://www.facebook.com/serdi.machines)

# Table of contents

## Seat and guide machines

**4**

Crosswise inclined and vertical valve cylinder head	—4
Crosswise inclined and vertical valve cylinder head	—5
Single axis rollover fixture	—6
Dual axis rollover fixture	—7
Tip sharpener	—8
Vacuum testing	—9
Controlling instruments	—10
Various accessories	—11
Spare parts	—12
Spare parts	—13
Spare parts	—14

## Valve refacer

**14**

accessories and consumables	—14
-----------------------------	-----

## Pressure tester 1500/1501/1600

**16**

Clamping system support	—16
Other accessories	—16

## Grinding machines

**18**

Cylinder head clamping	—18
Abrasive segments for GMA, SCB 1300 and MGM	—19
Abrasive segments for SCB 2000	—19
Cutting tools with tip holder	—20
Lubricant	—20

## General conditions of sale

**21**

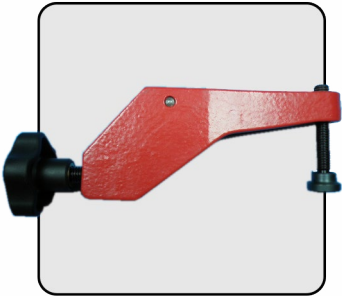


## Crosswise inclined and vertical valve cylinder head

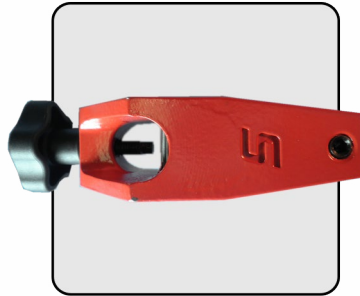
**011915** - Long universal clamp

**303629** - Short universal clamp

**010416**- Short clamping bar



For all kinds of cylinder head. Adapted on all long or short bars.



For all kinds of cylinder head. Adapted on all long or short bars.



This can be used with all types of clamping system.

**010426**- Long clamping bar

**011425**- Block for clamping bar

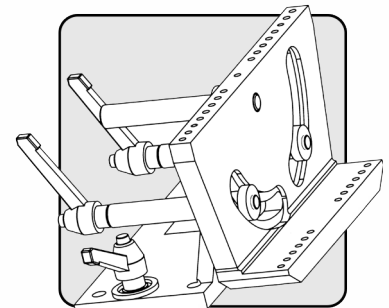
**013958**- Tilting fixture set



This can be used with all types of clamping system.



Used with both bars on tilted clamping system.



Used to adjust the cylinder head's angle to the head position.

**010432**- Flat end fixture

**564000** - Clamp shoe

**564001**- Screw M10



Designed to clamp flat cylinder head with vertical valves.



Orientable clamp shoe dia. 20 mm.



M10 - 60 mm length for orientable clamp shoe

**009259**- Three arm knob

**014039** - U parallel with T-nut

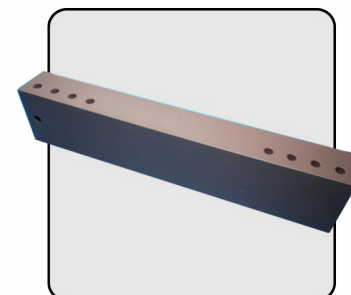
**010434**- Square riser bar



They can be used with all types of clamping system.



To adapt the clamping system to the cylinder head dimension.  
Dimension: 40 x 70 x 300 mm



Dimension: 30 x 50 x 242 mm



# Seat and guide machines

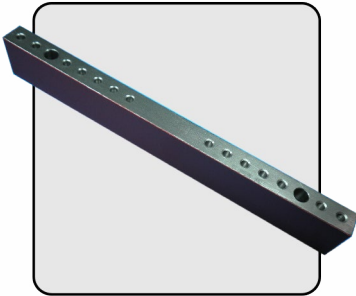


## Crosswise inclined and vertical valve cylinder head

**017577-** Block for clamping bar

**017576-** Short pin set

**009796-** Long pin set



To adapt the clamping system to each cylinder head dimension:  
Dimension: 20 x 38 x 300 mm



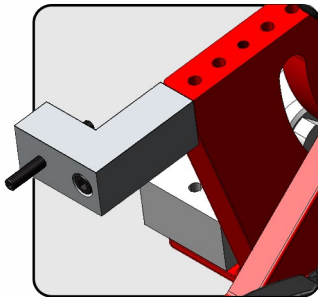
6 pins set : used to maintain all cylinder head before using tilted clamping system.



6 pins set : used to maintain all cylinder head before using tilted clamping system.

**032475-** Cursor clamping set

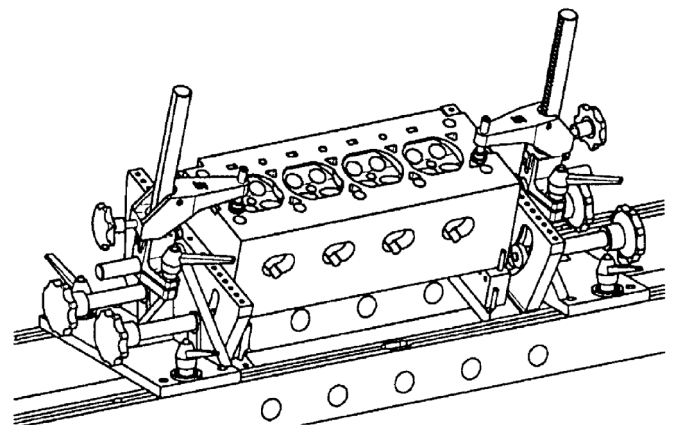
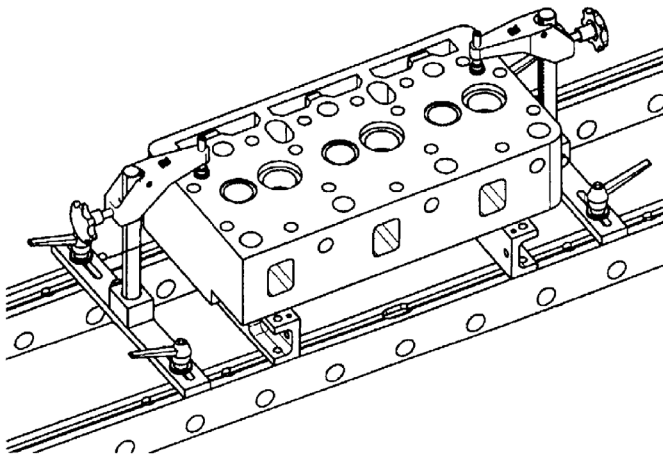
**024298-** Bubble level



Left and right clamping set to maintain Iveco Cursor 13 head.

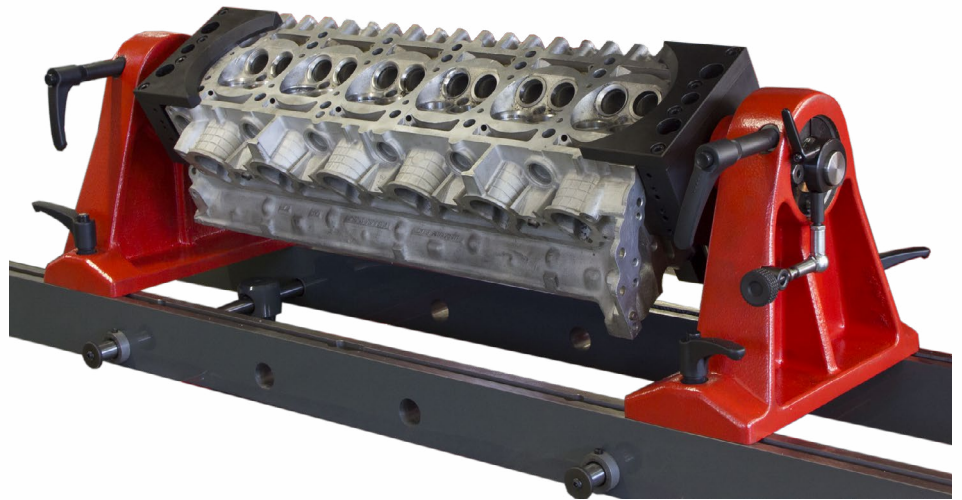
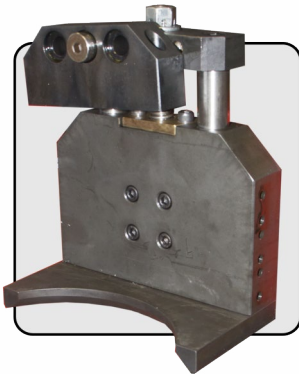


Easy to use; level your guides with accuracy





033622 - Single axis roll over fixture

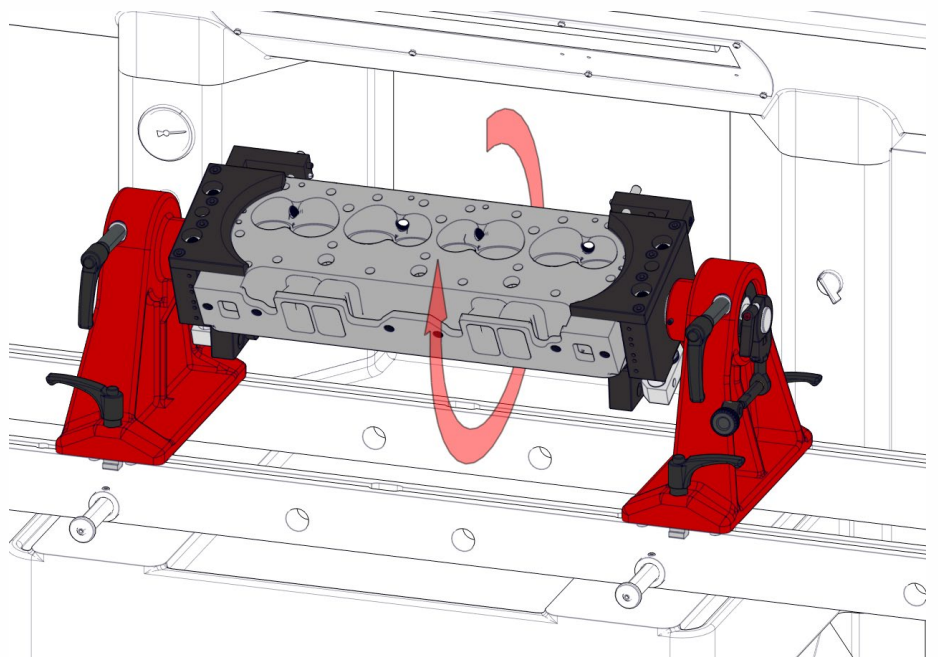
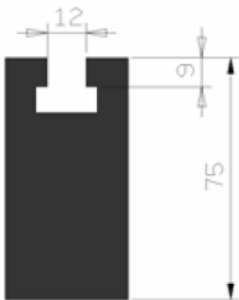


### Max cylinder head dimensions:

Length: 1050 mm - 41.3"  
 Height: 195 mm - 7.7"  
 Width: 300 mm - 11.8"

- . **Allows quick positioning** of parallel and non-parallel side heads
- . **Sturdy clamping** thanks to two large jaws
- . **360° rotation** to get an easy access to all sides of the cylinder head for various jobs
- . **Firm locking of the jaw's shafts** through two handles for a perfect clamping while machining.
- . Supplied with a bubble level **024298** and a ratchet

Fits on every Serdi machines and any machines with T grooved spaced of 275 mm with the following dimensions.





# Seat and guide machines

## Dual axis rollover fixture

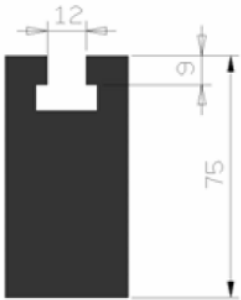
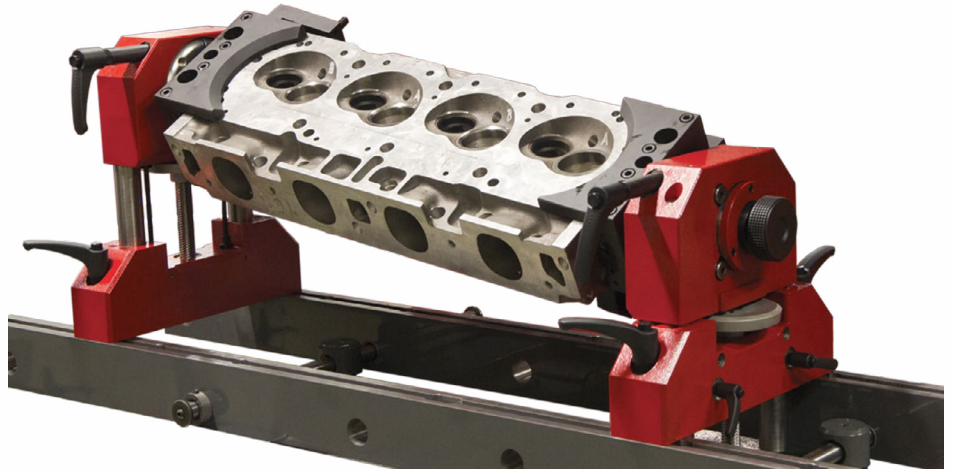


033763 - Dual axis roll over fixture

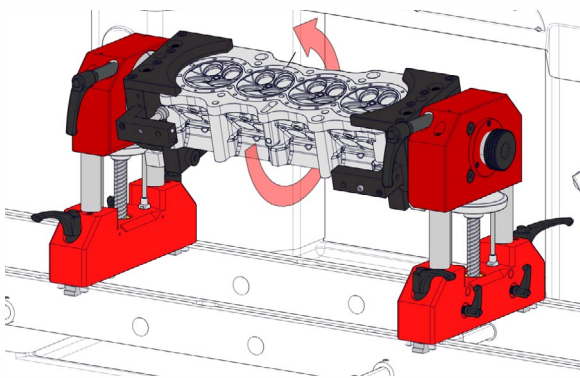
### Max cylinder head dimensions:

Length: 1050 mm - 41.3"  
 Height: 195 mm - 7.7"  
 Width: 300 mm - 11.8"

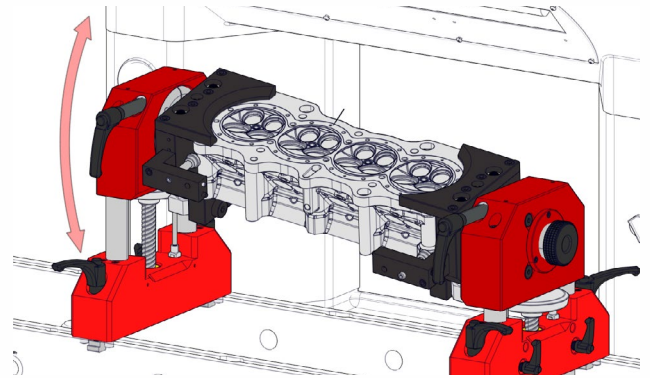
Fits on every Serdi machines and any machines with T grooved spaced of 275 mm with the following dimensions.



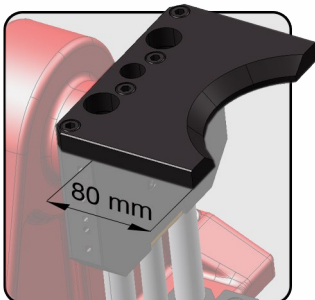
- . **Allows quick positioning** of parallel and non-parallel side heads, even with canted valve guides.
- . **Set the cylinder head** at the desired level and roll it over
- . **Sturdy clamping** thanks to two large jaws
- . **Sphere centering handles** to get a quick mount of the head
- . **Firm locking of the jaw's shafts** through two handles for a perfect clamping while machining.
- . **Supplied with a bubble level 024298 and a ratchet**



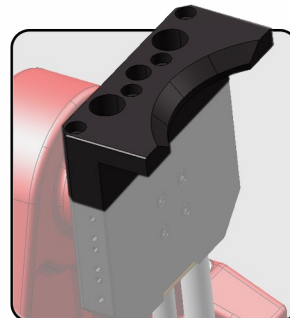
034999 - Length extended reach plate



035632- Height extended reach plate



Allows to fit cylinder heads with odd sides.  
  
 Works on both single and dual axis rollover fixtures.

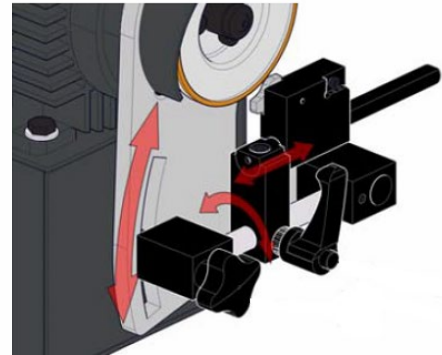
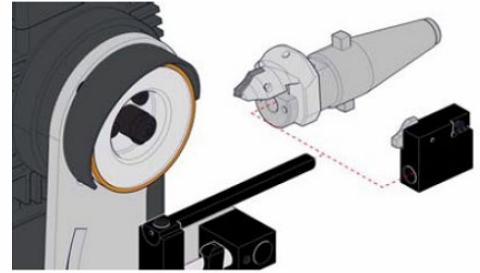
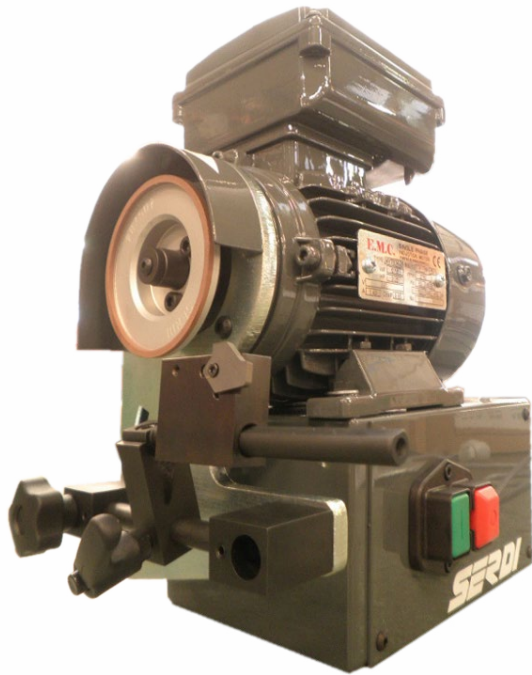


To lift up the cylinder head when the fixture is used on an old generation machine.





033828 - Serdi Sharpener 3500



. **Allows you to increase** the lifespan of your carbide cutting tools in a fast and easy way.

. **Supplied** with a  $\varnothing 75$  mm diamond wheel **405784**

**Now sharpens original and new design bits, without removing from the tool holder\*.**

**More tilt settings for a better surface grinding accuracy.**

\*not compatible with S5731 tool holder

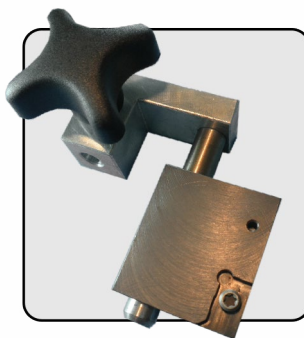
**405784** - Diamond wheel  
 $\varnothing 75$  mm

**021960**- SCS Tool sharpener  
Adapter Fixture

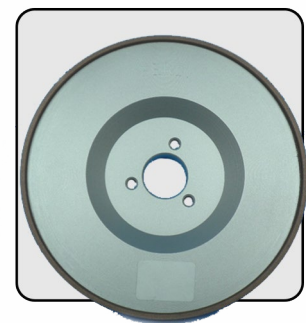
**009753**- Diamond wheel  
 $\varnothing 125$  mm



Fits on any SERDI tool sharpener



Only for tool sharpener part # :  
010119



Only for old style Tool sharpener  
Serdi 3000





# Seat and guide machines

## Vacuum testing



**023516 - DP8000**

**304697 - Vacuum Pads**



**The vacuum tester checks if the combination seats-valve seals. (Come with reference 304697)**



**Check the seal between the valve and the seat.**

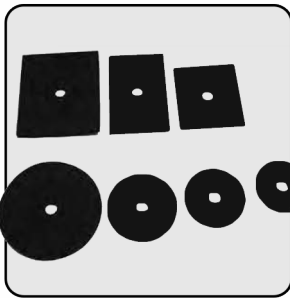
**Set of 7 pads including :**

- 1 pad 87x70 mm (part# 405584)
- 1 pad 81x51 mm (part# 405585)
- 1 pad 64x56 mm (part# 405586)
- 1 pad Ø40 mm (part# 405587)
- 1 pad Ø47 mm (part# 405588)
- 1 pad Ø54 mm (part# 405589)
- 1 pad Ø80 mm (part# 405590)

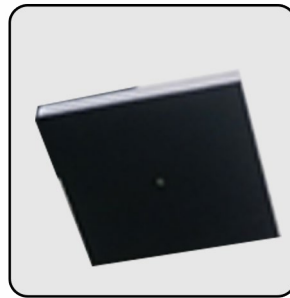
**303322 - Precut foam pads**

**033410- Heavy duty pad**

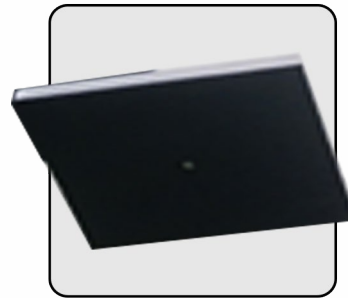
**033411- Heavy duty pad**



**You can replace the pads on your vacuum tester.**



**Pad 100 x 100 mm (3.93" x 3.93")**

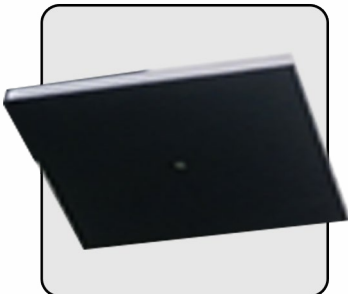


**Pad 220 x 130 mm (8.66" x 5,1")**

**035804- Heavy duty pad**

**700001 - Air filter**

**035805- Vacuum plugs**



**Pad 125 x 75 mm (5" x 3") (US market only)**



**To keep the vacuum generator clean from cylinder head dust**



**Plugs for vacuum test. (US market only)**





### 035075 - Serdigital



Digital display micrometer allowing to measure and adjust accurately the position of the cutter to the seat diameter, without unmounting the tool-holder from the machine. This can be used with a counterboring bit and any cutter bit.

**Specifications:**

Resolution pitch :0.01 mm / .0005"  
 Measuring unit system: Metric / Imperial  
 Display : Digital liquid crystal  
 Electric supply : 3V 2032 CRC battery  
 Measuring capacity: 0 – 180 mm / 0 – 7.08"  
 Fits on pilot from Ø 3 mm up to Ø 20 mm



### 036305 - Runout gauge



Device to insert on a pilot after the seat machining, to display the runout value. The gauge turns around the pilot and the runout value must be read on one device rotation.

**Specifications:**

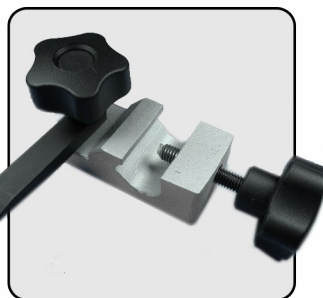
Resolution pitch :0.01 mm / .0005"  
 Measuring unit system: Metric / Imperial  
 Material: Stainless steel and carbide  
 Measuring capacity: Ø16 – Ø120 mm seat diameter / Ø0.63 – Ø4,724"  
 Pilot compatibility: Ø9,52 mm (3/8") shank

### 405882 -Magnetic depth stop



To measure the seat housing height after machining

### 405580 - Setting device 4200



Used to adjust the tip holder on the tool holder.

### 583101 - Dial indicator



Inch version

### 009663 - Bluing



Locate high spot and concentricity on the seat and seat surface.

### 407018- Micrometer in mm



Precisely adjust the position of the cutter to the seat diameter.

### 405956- Micrometer in Inch



Precisely adjust the position of the cutter to the seat diameter.



# Seat and guide machines

## Controlling instruments



**035803**- Spindle indicator



Lower spindle indicator original design. (US market only)

**006141** - Low spindle indicator



To machine the seats to the same depth position. Metric version.

**035807** - Low spindle indicator



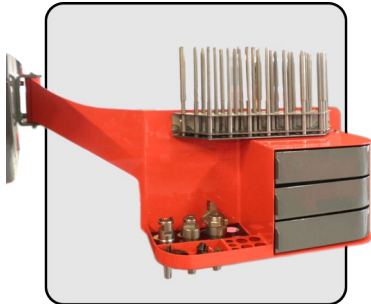
To machine the seats to the same depth position. Inch version.



# Seat and guide machines

## Various accessories

**034048** - Toolrack



Allows stocking tool holders, tools, pilots, pads... used with the machines S3.5 and S4.5. Contact us if you need it for another machine.

**014240** - SERDI tool cart



The Serdi tool cart allows stocking tool holders, tools, pilots, pads...used with the machines.

**034186** - LED Kit large size



Replacement LED kit for beam. **034186**: 654x150 mm - 25.75" x 5.9" with 8 mounting screws.

**034226** - LED Kit small size



500x150 mm - 19.7" x 5.9" with 6 mounting screws

**010137** - Spindle nut wrench



Tightening or lossening the spindle nut with the right strength.





**404029 - Diaphragm**



For the workhead clamping system.

**590001 - Spindle damper**



225 Newton

**026759 - Spindle damper**



290 Newton

**025428 - Pneum. air switch**



Spare for the table of S60 and S100

**014265 - Pneum. air switch**



Spare for S1.1, S3.0, S4.0, S100 HD and S2.0

**014266 - Pneum. air switch**



Spare for S1.1, S3.0, S4.0, S100 HD and S2.0

**007623 - Regulator**



Adjust the air flow (Come with two washers Ref.013389)

**010458 - Distributor**



Release or clamp the air function of the machine.

**008484 - Regulator/oiler**



Main regulator of the machine (For 3.1, S100, S101).

**603000 - Manometer**



Manometer diameter 50 mm  
0 - 10 Bars

**603015 - Vacuumeter**



Vacuumeter diameter 63 mm  
0 to -1 bar

**404094 - Step axis screw**



Step axis screw M 5 x 8 x 135 mm  
for Serdi 100



# Seat and guide machines

## Spare parts



**013129** - Electric control panel



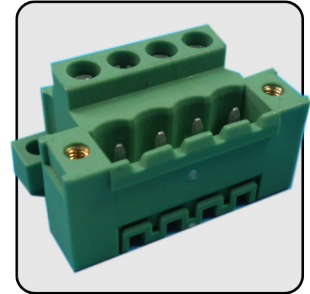
**Spindle control panel for M3.0, S3.0, S4.0, S100 HD**

**012698** - Electric control panel



**Spindle control panel for Serdi 100**

**709020** - Male socket



**Male socket 4 pins MSTB**

**709021** - Female plug



**Female plug 4 pins MSTB**

**701501** - Lamp



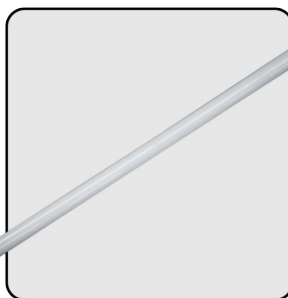
**Halogen lamp 12V 20W SIZE G5.3**

**703000** - Starter



**Starter for tubular neon light 18W**

**703001** - Neon



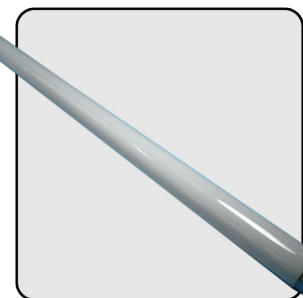
**Neon tubular light Ø 26 LG 600 MM 18W**

**703002** - Sockets



**Set of 2 sockets for neon tubular light**

**017063** - Neon



**Neon tubular light Ø 26 Lg 438 mm - 15W**

**007526** - Spindle quill key



**Old S3 / S4 machine generation spindle quill key**

**030551** - Spindle quill key



**New S3 / S4 machine generation spindle quill key**

**404047** - Spindle quill key

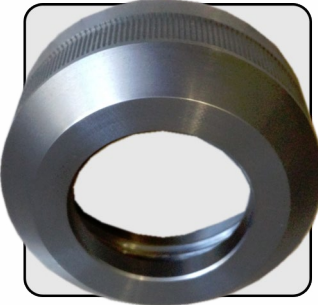


**For the S60, S100, M3.1, S2.0 and S100 HD machines.**



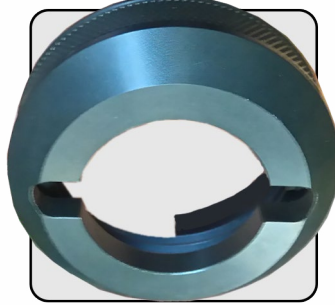


**009766** - Raw locking ring



For machines before 2003 (end of machining to perform by customer)

**404062**- Locking ring



For machines after 2003

**009711** - Flexible stop



To stop the machining head on the beam.

## Valve refacer accessories and consumables



**406275**-Cup wheel



Fits on VVR120, HVR 90 and Serdi 2

**406258** - Rear grind diamond



Fits on VVR120, HVR 90 and Serdi 2

**406257** -Front grind diamond



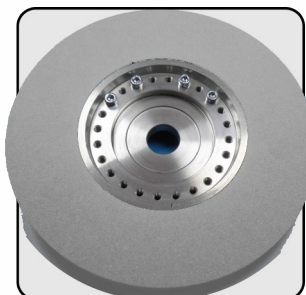
Fits on VVR120, HVR 90 and Serdi 2

**016338** - Grinding wheel



Ø200 mm standard grade  
Fits on VVR120, HVR 90

**023964** - Grinding wheel



Ø200 mm hard grade  
Fits on VVR120, HVR 90  
(only for specific needs)

**406780** - Grinding wheel



Ø200 mm standard grade  
Fits on Serdi 2.0

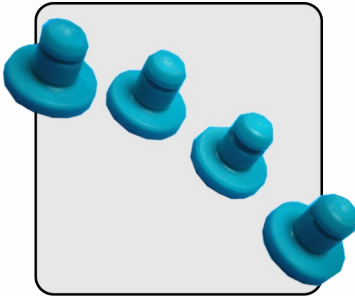


# Valve refacer



## HVR 90 accessories and consumables

**021195**- 4 pads for V-block



Fits on VVR120, HVR 90

**016063** - 5 drive pads set



Fits on VVR120

**Set of 5 pads including :**

- 1 drive pad dia. 12 mm / 0.472" (part# 015513)
- 1 drive pad dia. 20 mm / 0.787" (part# 015514)
- 1 drive pad dia. 29 mm / 1.142" (part# 015515)
- 1 drive pad dia. 42 mm / 1.653" (part# 015516)
- 1 drive pad dia. 66 mm / 2.598" (part# 015517)

**407626**- 4 pads for V-block



Fits on Serdi 2

**016734** - 3 drive pads set



Fits on HVR 90

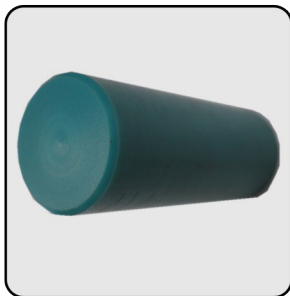
**Set of 3 pads including :**

- 1 drive pad dia. 20 mm / 0.787" (part# 016703)
- 1 drive pad dia. 29 mm / 1.142" (part# 016704)
- 1 drive pad dia. 42 mm / 1.653" (part# 016705)

**Option:**

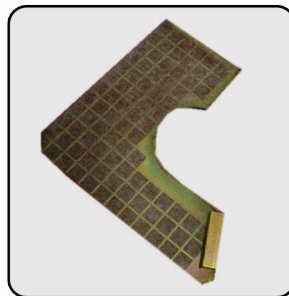
- 1 drive pad dia. 12 mm / 0.472" (part# 016702)
- 1 drive pad dia. 66 mm / 2.598" (part# 016706)

**406667**-Valve end



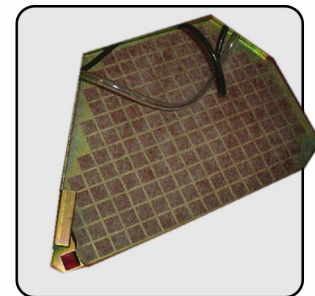
Fits on VVR120, HVR 90 and Serdi 2

**017771**- 12 left filters set



Fits on VVR 120

**017770**- 12 right filters set



Fits on VVR 120

**019425**- Stand

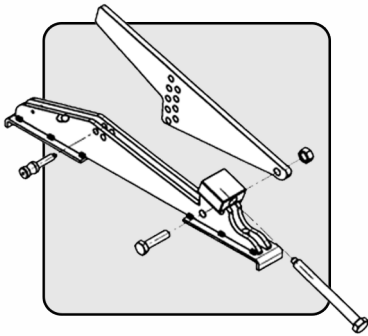


# Pressure tester 1500/1501/1600

## Clamping system support

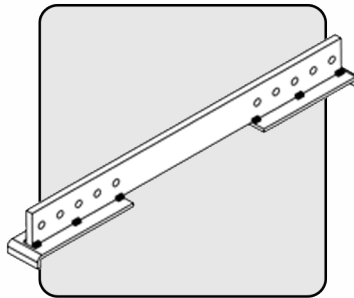


**010059** - Clamping system



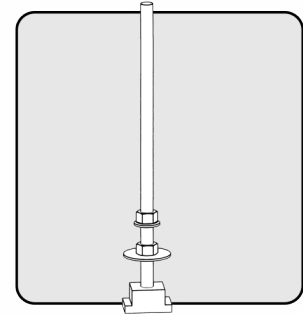
Set of 2 clamping system for crosswise inclined cylinder head. Used to put in horizontal position a crosswise inclined cylinder head.

**012439** - Clamping system



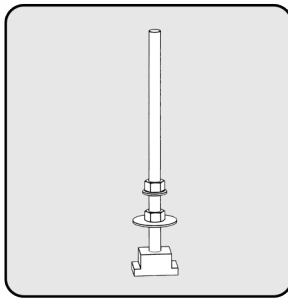
Used to clamp a flat cylinder head.

**010779** - Long clamping block



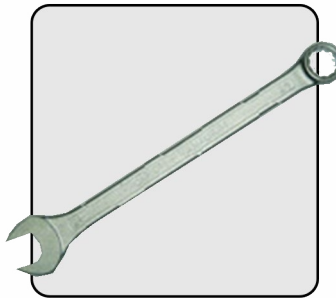
To mount on the rotating crib (400 mm screw)

**010795** - Short clamping block



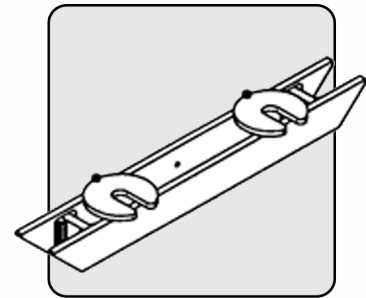
To mount on the rotating crib (350 mm screw)

**010033** - 24 mm spanner



To assemble clamping blocks

**013569** - Clamping bar



Universal clamping bar with washers.

# Pressure tester 1500/1501/1600

## Other accessories



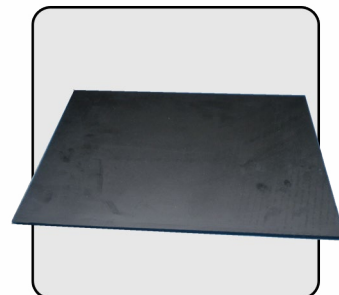
**010056** - Rubber pads set:



**Rubber pads set :**

- 25 pads Ø30 mm (part# : 010050)
- 15 pads Ø40 mm (part# : 010051)
- 10 pads Ø60 mm (part# : 010052)
- 20 pads 60x30 mm (part# : 010053)
- 10 pads 80x40mm (part# : 010054)
- 10 pads 100x50mm (part# : 010055)
- 1 seal 200 x290mm (part# : 010360)

**010360** - Neoprene Seal



**200x290 mm**



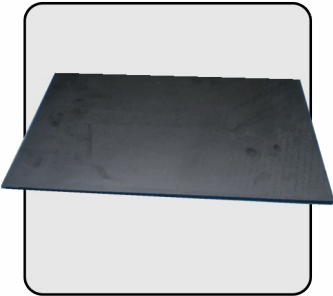


# Pressure tester 1500/1501/1600

## Other accessories

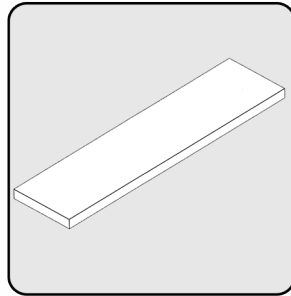


**011858** - Neoprene plate



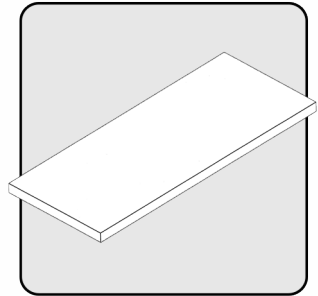
**1400x715x4 mm**

**010860** - Plexiglas plate



To compress pads on the cylinder head.  
**220x800x30 mm**  
We realise any kind of plate on request.

**010861** - Plexiglas plate



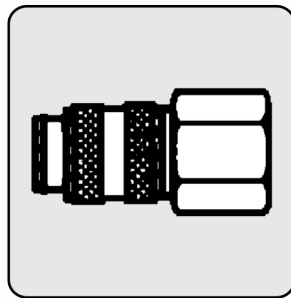
To compress pads on the cylinder head.  
**330x800x30 mm**  
We realise any kind of plate on request.

**018798** - Flexible hose



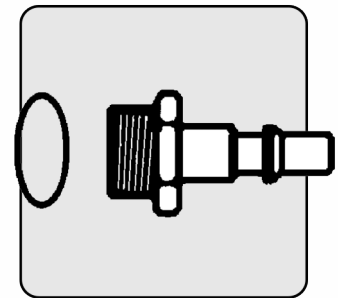
Flexible link between the cylinder head and the pressure tester.

**010801** - Female union



Female straight union G1/8 for SPT  
Adapts on the flexible hose

**010802** - Male union



Male straight union M5 for SPT.  
Adapts on the head to link it to the SPT through the flexible hose

**014474** - Lubricant



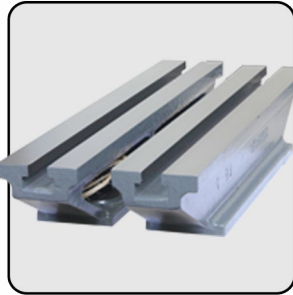
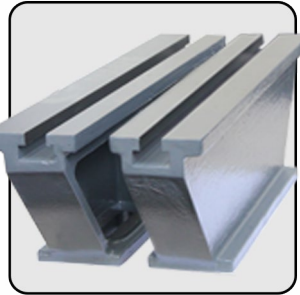
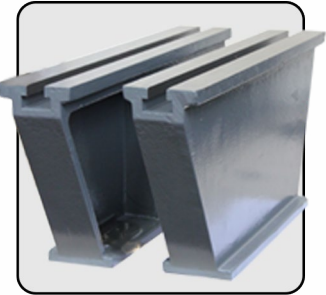
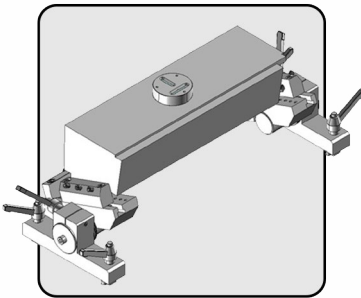
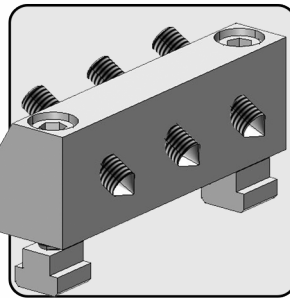
**5 liters can of coolant concentrate**

**031667** - Lubricant



**20 liters can of coolant concentrate**



**024037 - Raiser bars****Raiser bars kit height 80 mm - 3.15"****024033 - Raiser bars****Raiser bars kit height 135 mm - 5.31"****024036 - Raiser bars****Raiser bars kit height 200 mm - 7.87"****200101 - Clamping device****Clamping device for tilted cylinder heads (fits on MGM 1000)****024034 - Set of clamps****Set of 2 complete cylinder head clamps. For MGM machines.**



# Grinding machines



## Abrasive segments for GMA, SCB 1300 and MGM



**MGM**



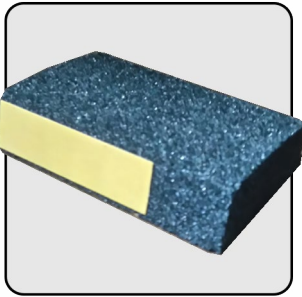
**SCB 1300**



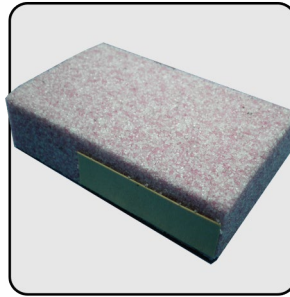
**GMA**

061080 - Abrasive segment

010590 - Abrasive segment



Abrasive segment for cast iron



Abrasive segment for steel or aluminium



# Grinding machines

## Abrasive segments for SCB 2000

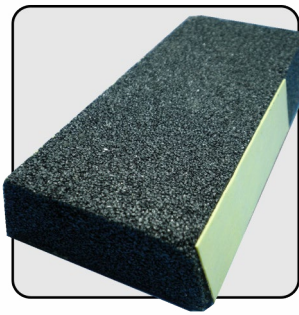
09665 - Abrasive segment

009666 - Abrasive segment

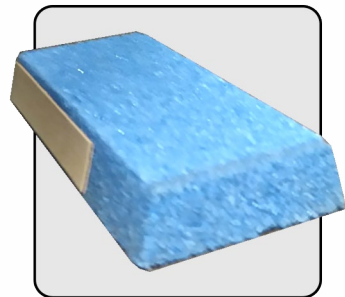
009667 - Abrasive segment



Abrasive segment for cast iron



Abrasive segment for steel or aluminium



Abrasive segment for hard cast iron





### 020770 - Tip holder



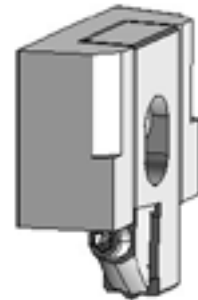
Raiser bars kit height 80 mm - 3.15"

CBN / PCD tip holder for 6.35 mm cutting tip.

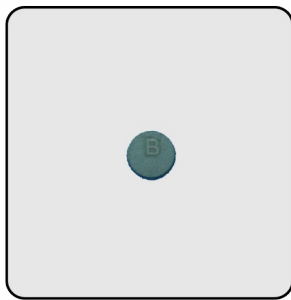
- Enclosed :
- 1 tip holder pad
  - 1 balancing pad
  - 1 CBN insert
  - 1 PCD insert
  - 1 tip holder

Only for grinding plate Ø320 mm and Ø360 mm

For all grinding and milling machines.

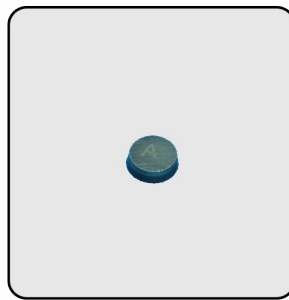


### 006954 - PCD cutting tip



PCD cutting tip Ø 6.35 mm for aluminium.  
For all grinding and milling machines

### 019054 - CBN cutting tip



CBN cutting tip 0.25" for cast iron.  
For all grinding and milling machines.

# Grinding machines

## Lubricant



### 014474 - Lubricant



5 liters can of coolant concentrate

### 031667 - Lubricant



20 liters can of coolant concentrate

# General conditions of sale

## SERDI Corporation



The following terms and conditions shall apply to all equipment, tooling, accessories and other products acquired from SERDI Corporation ("the Products"). None of these terms and conditions may be added to, modified, superseded or altered except by written instrument signed by an authorized representative of SERDI Corporation ("SERDI").

**PRICES** – All prices shown on the Sales Agreement are the purchase prices. All prices are F.O.B. SERDI's place of shipment in the United States. All costs incident to the installation and service of Products, except those specifically included in the LIMITED WARRANTY stated below shall be rendered by SERDI at SERDI's then prevailing rate, plus all expenses. All merchandise shipped with customer's own carrier will travel at customer's own risk if not insured. SERDI reserves the right to make changes in earlier production models. SERDI also reserves the right to discontinue the manufacture and sale of any products at any time without previous notice. For all customers using collect account with their carriers, SERDI will charge a Handling fee to cover the time and expenses for handling and packaging.

**TAXES** - Buyer must assume ultimate responsibility for payment of any state or local sales and/or use taxes which may be or may become associated with this sale. If taxes are included in the total sales amount shown on the sales contract, the buyer acknowledges that the amount is subject to adjustment based on the actual percentage(s) as assessed by the taxing authorities having jurisdiction at the place of installation or use of the product(s). Buyer shall provide SERDI with a tax exemption certificate acceptable to the taxing authorities.

**TITLE RETENTION** - Unless credit to Buyer has been expressly approved in writing, SERDI shall not be obligated to ship the Products until SERDI receives full payment (if check or negotiable instrument, until the check is honored or payment received by SERDI's bank), including shipping and handling. Title to the Products shall remain SERDI's until full payment has been received. Until title passes to Buyer, the Products shall be kept at the location to which they were originally shipped. Failure to make any payment when due; shall give SERDI the option, without liability and without limitation, to take possession of and recover the Products without notice. Buyer shall pay to SERDI a service charge on any and all late payments at a rate equal to eighteen (18%) percent per annum or the maximum rate permissible under applicable law, whichever is lower. Buyer agrees to pay all costs, including attorney or collection agency fees, associated with collection or enforcement of this agreement.

**CONDITION OF ACCEPTANCE AND MINIMUM ORDER** – All orders are subject to acceptance by SERDI and SERDI's ability to ship. No order will be processed without a receipt of a written purchase order bearing a purchase order number. Product specifications, design, prices, discounts and terms are subject to change without notice. All orders will be invoiced at prices in effect at the time of shipment. A service charge is subject to be added to any orders at the sole discretion of SERDI.

**CATALOG ERRORS** – Although all information in our catalog and brochures have been carefully checked for accuracy, errors and omissions occasionally occur and therefore are subject to correction. We regret any inconvenience.

**CREDIT AND SECURITY AGREEMENT** - No credit is extended unless previously approved in writing by SERDI. Buyer hereby grants to SERDI a security interest in the Products which have been purchased until full payment is received by SERDI. Buyer will execute a recordable financing statement indicating SERDI's security interest in the Products. Failure to pay the purchase price of the Products when due shall give SERDI the option, without liability and without limitation, to take possession of the Products without notice, sell the Products at public or private sale at which SERDI may be a purchaser, apply the proceeds after deducting expenses and liens and pay the surplus, if any, to Buyer.

**CHANGES** - Buyer may make written requests for changes in specifications. SERDI is not obligated to accept any such request. If such a request is accepted and causes an increase in the cost or the time required for the manufacture of the Product, SERDI may adjust the purchase price and/or delivery schedule, and the General Conditions of Sale may be modified accordingly.

**LIMITED WARRANTY** - The products are warranted upon delivery to conform to their published specifications and to be free from defects in material and workmanship under normal use for a period of one year from shipment. Should a product not be as warranted, SERDI's sole obligation shall be, at its option, to repair, correct or replace the product or to refund the amounts paid for the Product upon its return to a location designated by SERDI. No warranty shall extend to rapid wear Products (including tooling) or to Products which have been subject to misuse (including any use contrary to SERDI instructions), neglect, accident (including during shipment), improper handling or installation, or subject to any modification, repair or service not certified by SERDI. SERDI MAKES NO OTHER WARRANTIES, EXPRESS OR IMPLIED, INCLUDING, BUT NOT LIMITED TO, IMPLIED WARRANTIES OF MERCHANTABILITY AND FITNESS FOR A PARTICULAR PURPOSE. SERDI shall not be liable for any consequential, direct or indirect damages or for any other injury or loss. Buyer waives any right, beyond the foregoing warranty, to make a claim against SERDI. No warranty is provided for any Products not paid for in full.

**RETURN MERCHANDISE POLICY** - Merchandise cannot be returned to SERDI without prior approval. Customer must contact the Order Department to get approval and to be issued a Return Goods Authorization number (RGA #). Merchandise authorized for return must be returned prepaid. If merchandise is returned with shipping charges collect, the actual amount of these charges may be deducted from any credit which may be due the customer. The RGA # assigned by the Order Department should be written on the shipping label and must appear on a copy of the invoice(s) covering the original shipment. This invoice copy must be included in the box with the parts. Shipment must contain ONLY those items on the RGA as approved for return. Merchandise must be received within 10 days of the date of RGA or the RGA will be canceled. All returned merchandise will be subject to a 20% restocking fee. Parts / tooling over 30 days old are considered as customer property and can not be returned. Company credits are non-refundable. Service and installation charges are non-refundable. Special order items and machines are non-refundable. C.O.D. returns will not be accepted. No return of altered or etched items. Custom orders and machines cannot be cancelled once processed; sales are final: no return, exchange or refund. Any credit granted by SERDI is void if not used within one (1) year of credit issuance.

The issuance of a RGA DOES NOT guarantee credit - it is only authorization for the return of the goods. Credit for return merchandise is at the sole discretion of SERDI. Credit will be issued only after inspection of returned goods.

**RISK OF LOSS** - All risk of loss or damage shall pass to Buyer when the Products are placed in the possession of the first carrier at SERDI's place of shipment. Prepayment of freight or insurance shall not convert the terms to F.O.B. destination.

**GENERAL** - The exclusive venue and jurisdiction for any dispute between Buyer and SERDI shall be in the State or Federal courts at the location of SERDI's office in the State of Georgia and Georgia law shall govern all such disputes. Buyer shall be subject to the personal jurisdiction of said courts. These terms and conditions shall be binding on the heirs, assigns, executors and administrators of Buyer and shall inure to the benefit of SERDI and its successors and assigns.

**NOTICE** - By signature on the accompanying Sales Agreement or by acceptance and use of product(s) shipped in fulfillment of phone, fax or written purchase orders, the buyer acknowledges receipt and acceptance of all of the General Conditions of Sale contained here-in.



# General conditions of sale

## **MACHINES SERDI S.A.**

All prices are quoted in EURO and are enduser's net prices.  
All prices are to be understood : EX-WORKS (EXW incoterms 2010) ANNECY  
For any other incoterms, we shall submit our best quotation upon request.

#### PAYMENT TERMS :

If no specific payment terms have been agreed upon, payment is to be understood as «irrevocable letter of credit»

Our Bank name and address are as follows :

CREDIT LYONNAIS  
UAC LYON 1 ENTREPRISES  
UMBC 23130 SERVICE COMEX  
136, Cours LAFAYETTE  
LYON CEDEX 03

#### INSPECTION :

If independent inspection should be required (SGS, BUREAU VERITAS, CALEB BRETT or similar) it will be charged to the importer's.

#### GUARANTEE :

MACHINES SERDI guarantees all parts of its equipment, to the original purchaser, for one full year from date of shipment (except as provided below) against defects in material or workmanship, when the equipment is installed in strict accordance with its particular specifications. MACHINES SERDI will repair and/or replace free of charge (Ex works) all such defective parts, ONLY when returned to the factory in Annecy France, with shipping charges PREPAID. This guarantee DOES NOT COVER damage caused by accident, abuse or faulty installation nor repair or replacement of parts worn or consumed in normal operation of the machine. Additionally, this guarantee does not cover such items as Diamond Tools, Ball Bearings, Grinding Wheels, Belts, Carbide Tool Bits and other accessory items, except at the discretion of MACHINES SERDI. This guarantee is at no time construed to mean the entire machine.

#### CANCELLATION OF ORDER :

Cancellation of order must be in writing and returned to the factory before shipment.

#### SHORTAGE OR LOST GOODS :

Any claims for shortages or loss must be reported within 10 days from receipt of shipment. Claims for transit loss or damage are the responsibility of the carrier according to the incoterm required by the importer.

#### RETURN MERCHANDISE POLICY :

- Merchandise may not be returned to MACHINES SERDI without written or verbal approval.
- Customer MUST contact the Export Departement to receive authorization.
- Merchandise authorized for return must be returned at customer's charge along with a copy of the invoice(s) or delivery note.
- Returning the goods DOES NOT guarantee credit.
- Credit for return merchandise is at the sole discretion of MACHINES SERDI.
- Credit if any will be issued ONLY after inspection of returned goods.

PRICES AND TERMS ARE SUBJECT TO CHANGE WITHOUT NOTICE





# SERDI

## seat and guide machines



### **MACHINES SERDI S.A.**

23, avenue des vieux moulins  
74000 Annecy  
France



00 33 4 50 65 63 00

Fax: 00 33 4 50 52 99 92

[www.serdi.com](http://www.serdi.com)

Email: [export@serdi.com](mailto:export@serdi.com)

### **SERDI CORP.**

301-C Cayuga Drive  
Mooresville  
North Carolina 28117  
USA



(770) 493 18 04

[customerservice@serdi-usa.com](mailto:customerservice@serdi-usa.com)

#### Applications:

##### Heavy diesel:



##### Aviation



##### Stationary engines:



##### Marine:



##### Racing:



##### Motorcycle:



##### Automotive:

